

GMC

5 mm x 20 mm Medium time-delay glass tube fuses



Product features

- Medium time-delay, low breaking capacity
- Available with optional axial leads
- 5 mm x 20 mm physical size
- Glass tube, nickel-plated brass endcap construction
- Designed to UL/CSA 248-14

Agency information

- UL Listed, Guide JDYX, File E19180, 63mA-6.3A
- UL Recognized Card: (7A-10A) Guide JDYX2, File E19180
- CSA Certified, Class 1422-01, File E65063, 63mA-6.3A
- MITI Approval, 1A-10A
- KC-Mark: Certificate SU05011-4001 (63mA~250mA); SU05011-4002 (300mA~800mA); SU05011-4003 (1A~3.15A); SU05011-4004 (3.5A~6.3A)

Ordering

- Specify packaging code prefix, product number and option code suffix
- For RoHS compliant version (suffix "-R"), drop mA or A from product code (e.g., GMC-2-R)

| Electrical Characteristics | | |
|----------------------------|-----------------|--------------------|
| Rated Current | % of Amp Rating | Opening Time |
| 63mA - 10A | 100% | None |
| | 135% | 60 minutes maximum |
| | 200% | 2 minutes maximum |

| Specifications | | | | | | |
|----------------|--------------------|-----------------------------|--------|----------------------------------|------------------------|----------------------------|
| Product Number | Voltage Rating Vac | Interrupting Rating (Amps)* | | Typical DC Cold Resistance (Ω)** | Typical Pre-Arc Ft AC† | Maximum Voltage Drop (mV)‡ |
| | | 250Vac | 125Vac | | | |
| GMC-63mA | 250 | 35 | 10,000 | 10.350 | 0.0027 | 1400 |
| GMC-80mA | 250 | 35 | 10,000 | - | 0.0050 | 1400 |
| GMC-100mA | 250 | 35 | 10,000 | 4.775 | 0.0094 | 1200 |
| GMC-125mA | 250 | 35 | 10,000 | 3.400 | 0.014 | 1000 |
| GMC-150mA | 250 | 35 | 10,000 | 2.555 | 0.022 | 800 |
| GMC-160mA | 250 | 35 | 10,000 | 2.295 | 0.022 | 730 |
| GMC-200mA | 250 | 35 | 10,000 | 1.395 | 0.032 | 650 |
| GMC-250mA | 250 | 35 | 10,000 | 0.965 | 0.046 | 490 |
| GMC-300mA | 250 | 35 | 10,000 | 0.838 | 0.081 | 580 |
| GMC-315mA | 250 | 35 | 10,000 | 0.685 | 0.081 | 480 |
| GMC-400mA | 250 | 35 | 10,000 | 0.615 | 0.18 | 510 |
| GMC-500mA | 250 | 35 | 10,000 | 0.335 | 0.41 | 370 |
| GMC-600mA | 250 | 35 | 10,000 | 0.282 | 0.60 | 360 |
| GMC-630mA | 250 | 35 | 10,000 | 0.246 | 0.66 | 360 |
| GMC-700mA | 250 | 35 | 10,000 | 0.213 | 0.85 | 340 |
| GMC-750mA | 250 | 35 | 10,000 | 0.213 | 0.85 | 320 |
| GMC-800mA | 250 | 35 | 10,000 | 0.180 | 0.85 | 290 |
| GMC-1A | 250 | 35 | 10,000 | 0.156 | 1.8 | 250 |
| GMC-1.25A | 250 | 100 | 10,000 | 0.098 | 3.4 | 200 |
| GMC-1.5A | 250 | 100 | 10,000 | 0.076 | 5.4 | 190 |
| GMC-1.6A | 250 | 100 | 10,000 | 0.067 | 5.8 | 160 |
| GMC-2A | 250 | 100 | 10,000 | 0.043 | 8.9 | 130 |
| GMC-2.5A | 250 | 100 | 10,000 | 0.035 | 13 | 130 |
| GMC-3A | 250 | 100 | 10,000 | 0.026 | 19 | 130 |
| GMC-3.15A | 250 | 100 | 10,000 | 0.025 | 23 | 130 |
| GMC-3.5A | 125 | - | 10,000 | 0.022 | 25 | 130 |
| GMC-4A | 125 | - | 10,000 | 0.019 | 36 | 120 |
| GMC-5A | 125 | - | 10,000 | 0.014 | 58 | 120 |
| GMC-6A | 125 | - | 10,000 | 0.013 | 88 | 120 |
| GMC-6.3A | 125 | - | 10,000 | 0.012 | 110 | 120 |
| GMC-7A | 125 | - | 200 | 0.012 | 150 | 120 |
| GMC-8A | 125 | - | 200 | 0.009 | 200 | 110 |
| GMC-10A | 125 | - | 200 | 0.007 | 300 | 110 |

* Interrupting ratings: Interrupting ratings for 63mA - 6.3A were measured at 70% - 80% power factor on AC. The interrupting ratings for 7A - 10A were measured at 100% power factor on AC.

** DC Cold Resistance (Measured at <10% of rated current)

† Typical Pre-Arching (It was measured at listed interrupting rating and rated voltage)

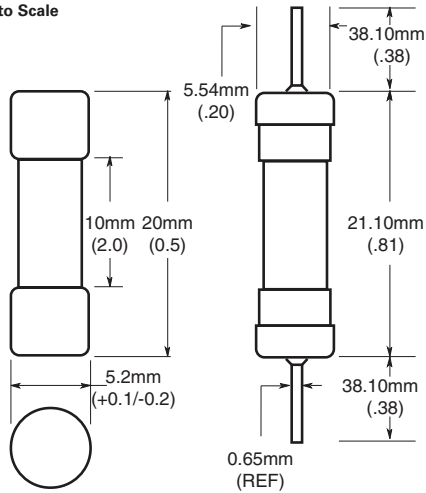
‡ Maximum Voltage drop (Voltage drop was measured at 20°C ambient temperature at rated current)



Powering Business Worldwide

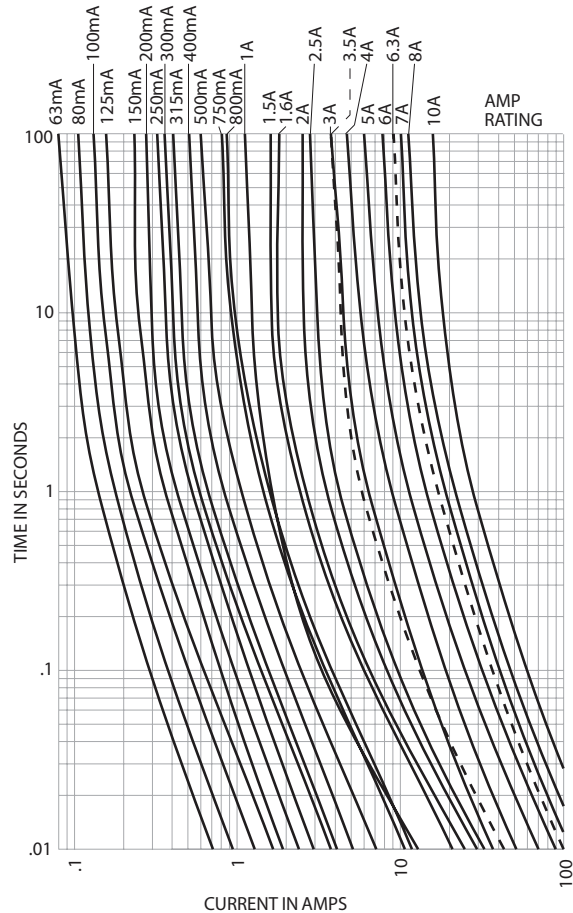
Dimensions - mm

Drawing Not to Scale



- Ratings above 6.3A have a 0.8mm diameter lead
- With TR2 packaging code, lead wire length is 19.05mm

Time-Current Curves



| Packaging Code | |
|-----------------------|---|
| Product Number Prefix | Description |
| BK- | 100 fuses packed into a cardboard carton |
| BK1- | 1000 fuses packed into a poly bag |
| TR2- | 1500 Axial lead fuses packed into tape on a reel (19.05mm lead wire length) |

| Option Code | |
|-----------------------|---|
| Product Number Suffix | Description |
| -V | Axial leads - copper tinned wire with nickel plated brass overcaps (place before amp rating; e.g., GMC-V-2) |
| -R | RoHS compliant version (drop "mA" or "A" from product number when ordering) |

Life Support Policy: Eaton does not authorize the use of any of its products for use in life support devices or systems without the express written approval of an officer of the Company. Life support systems are devices which support or sustain life, and whose failure to perform, when properly used in accordance with instructions for use provided in the labeling, can be reasonably expected to result in significant injury to the user.

Eaton reserves the right, without notice, to change design or construction of any products and to discontinue or limit distribution of any products. Eaton also reserves the right to change or update, without notice, any technical information contained in this bulletin.

Eaton
Electronics Division
 1000 Eaton Boulevard
 Cleveland, OH 44122
 United States
www.eaton.com/electronics

© 2017 Eaton
 All Rights Reserved
 Printed in USA
 Publication No. 4395 BU-SB11757
 May 2017

Eaton is a registered trademark.

All other trademarks are property of their respective owners.